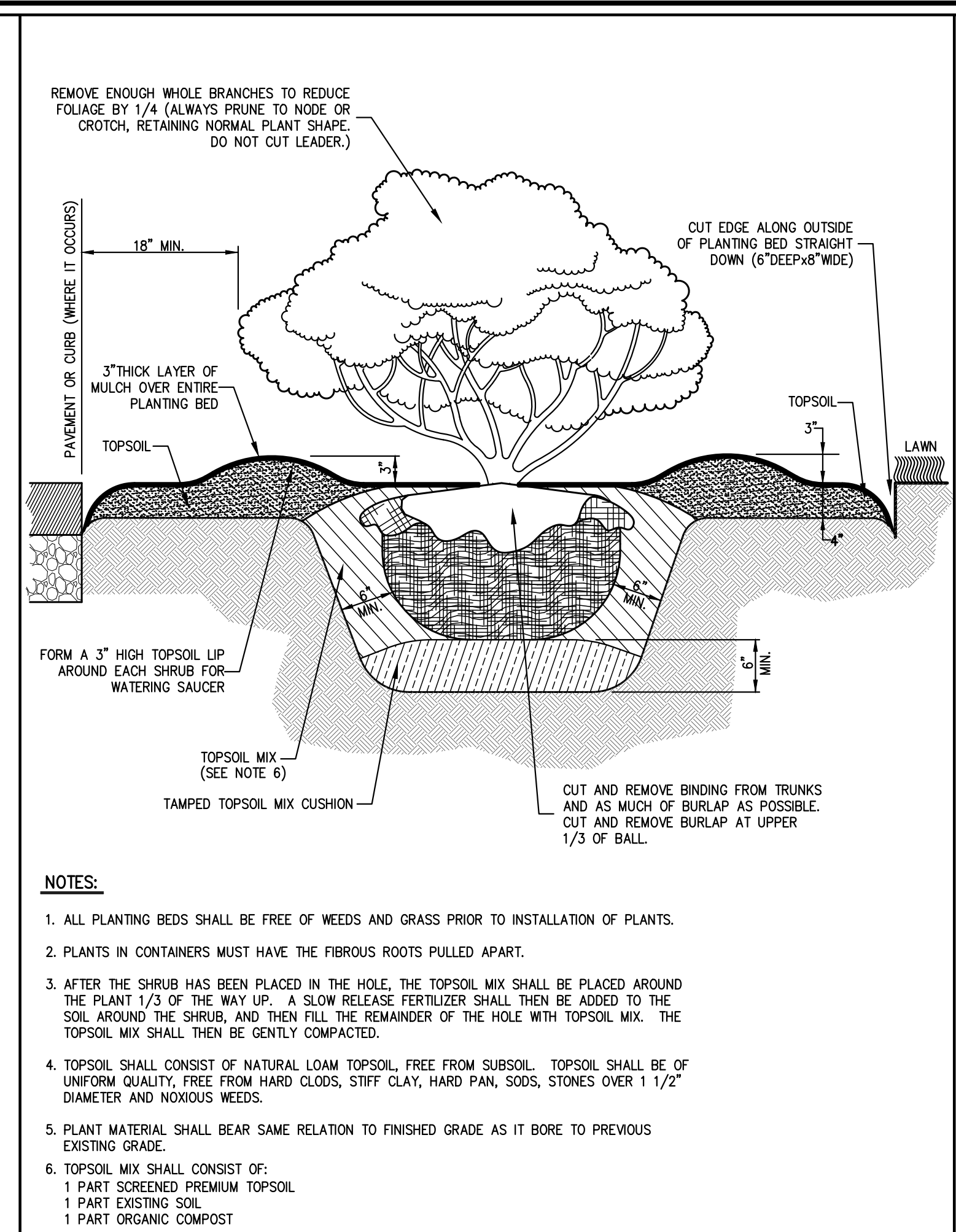
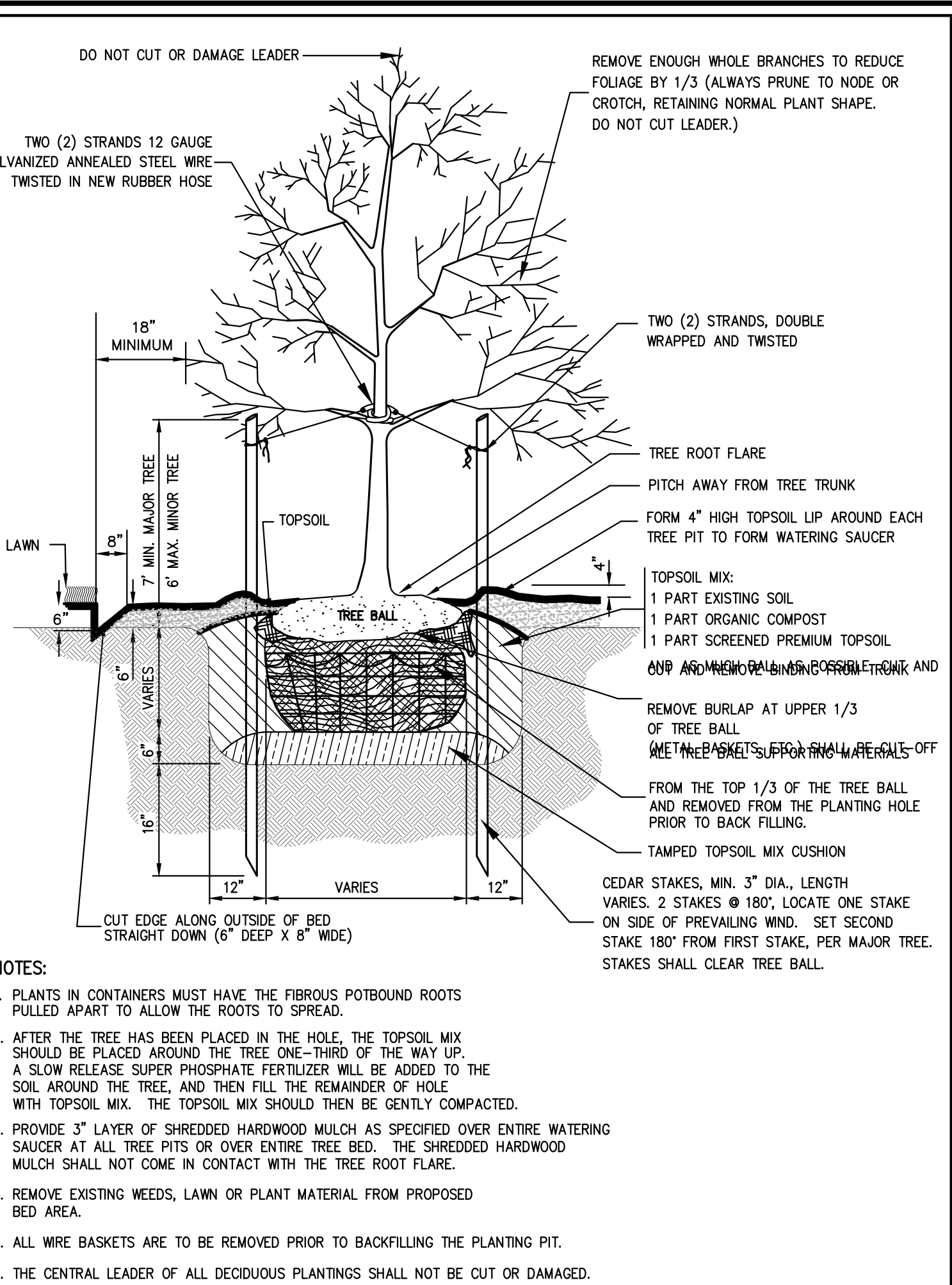


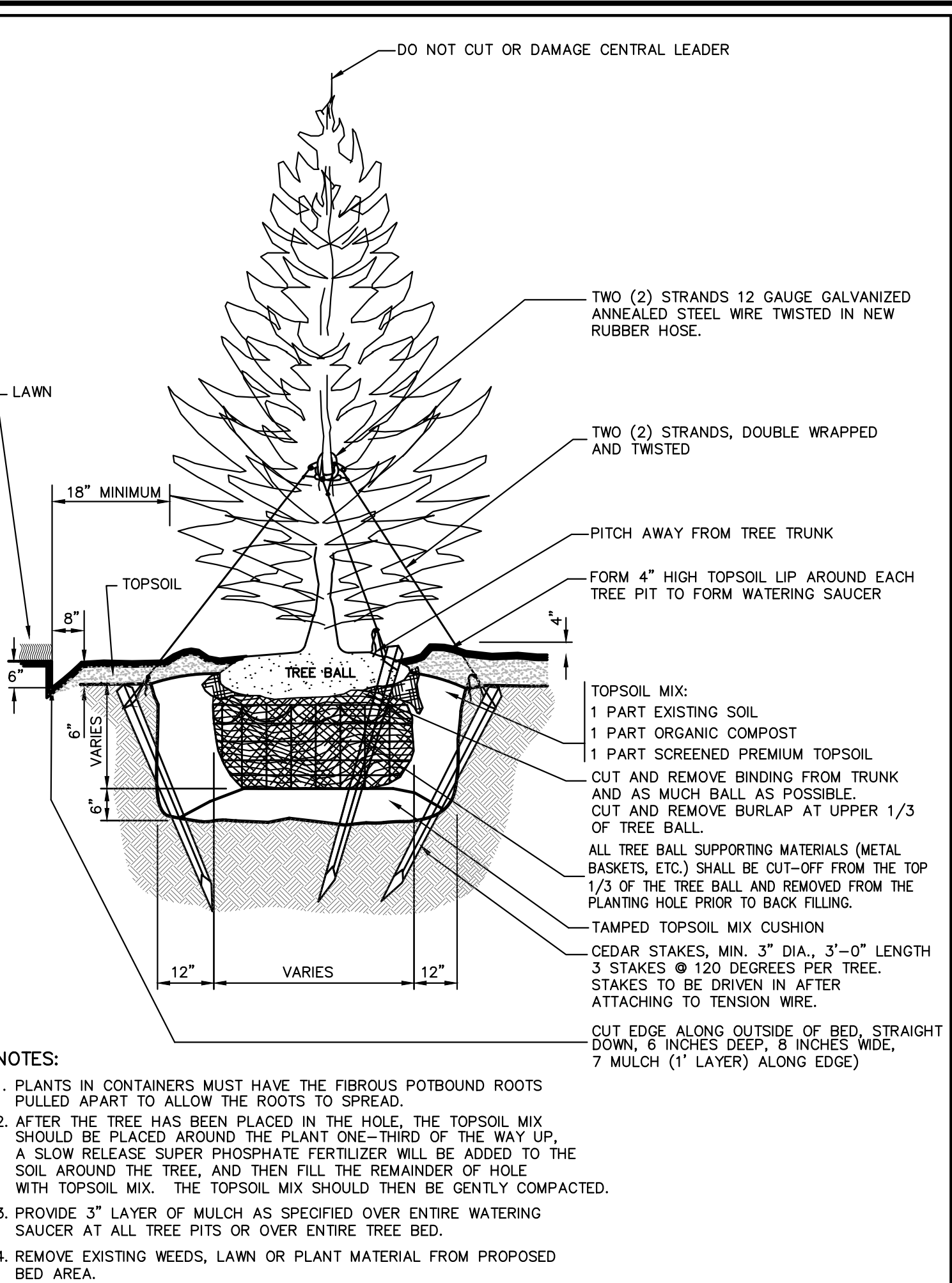
GROUNDCOVER PLANTING	1
-----------------------------	----------



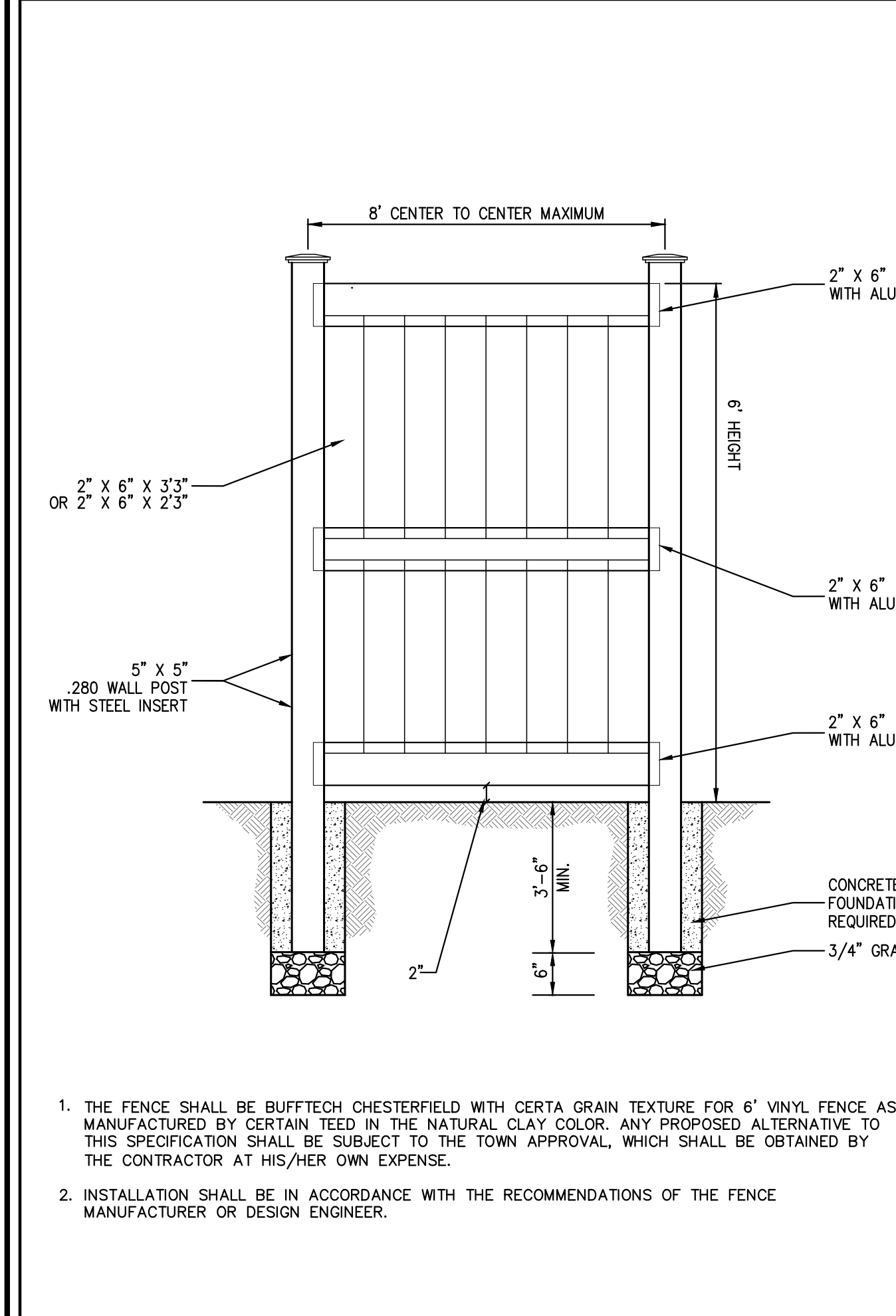
SHRUB PLANTING	2
-----------------------	----------



DECIDUOUS TREE PLANTING	3
--------------------------------	----------



EVERGREEN TREE PLANTING	4
--------------------------------	----------



6' PVC PRIVACY FENCE	5
-----------------------------	----------

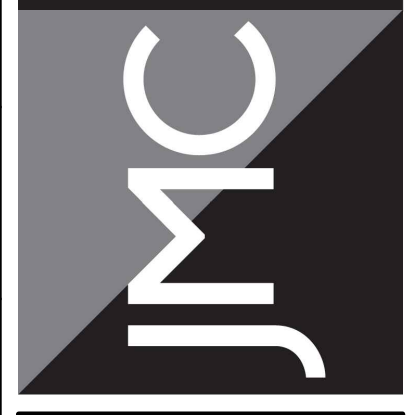
X

X

X

No.	
Revision	
Date	

JMC Planning, Engineering, Landscape Architecture & Land Surveying, PLLC
 JMC Site Development Consultants, LLC
 John Meyer Consulting, Inc.
 120 BEDFORD ROAD • ARMONK, NY 10504
 voice 914.273.5225 • fax 914.273.2102
www.jmcplic.com



CONSTRUCTION DETAILS
 LINCOLN PELHAM CLUSTER SUBDIVISION
 185-193 LINCOLN AVENUE
 VILLAGE OF PELHAM / CITY OF NEW ROCHELLE
 NEW YORK

ANY ALTERATION OF PLANS, SPECIFICATIONS, PLATS AND REPORTS BEARING THE SEAL OF A LICENSED PROFESSIONAL ENGINEER OR LICENSED LAND SURVEYOR IS A VIOLATION OF SECTION 7209 OF THE NEW YORK STATE EDUCATION LAW, EXCEPT AS PROVIDED FOR BY SECTION 7209, SUBSECTION 2.



Drawn: PS	Approved: JS
Scale: NOT TO SCALE	
Date: 08/07/2017	
Project No: 17127	
1707-REIMS DETAILS-1	
Drawing No:	

LS-2